

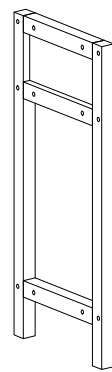
ASSEMBLY INSTRUCTION

5676XXX CONSOLE TABLE

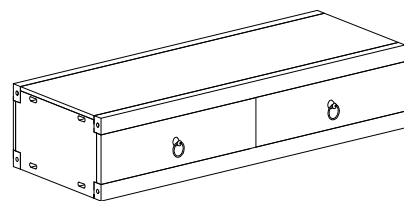
PART LIST

DO NOT FULLY TIGHTEN SCREWS AND NUTS UNTIL THE ENTIRE ITEM IS COMPLETELY ASSEMBLED

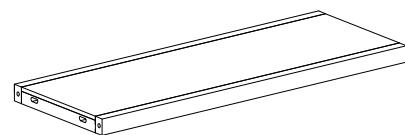
A : 2 pcs



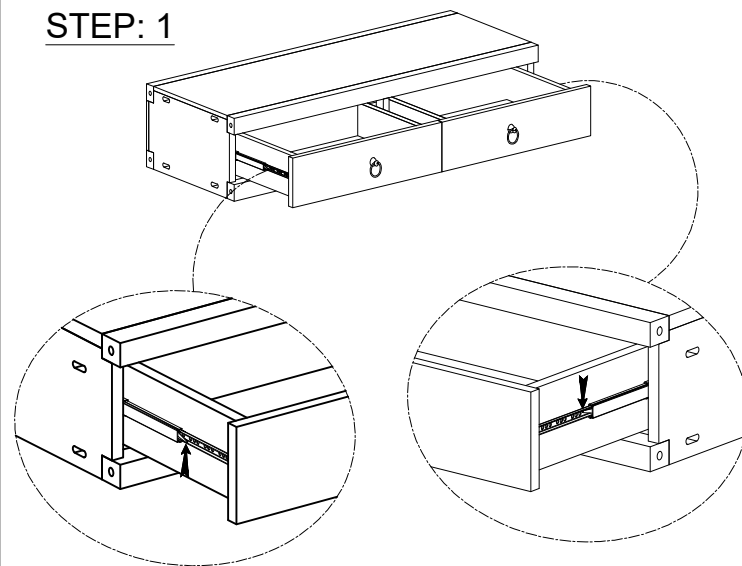
B : 1 pc



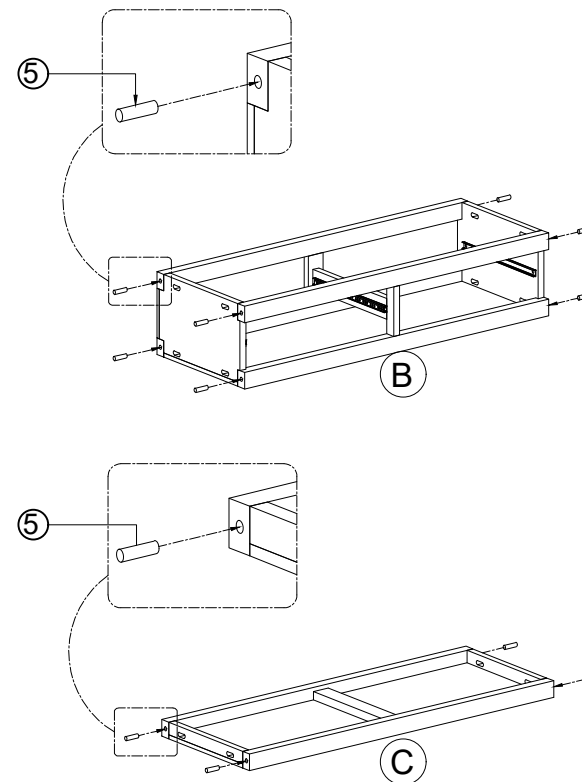
C : 1 pc



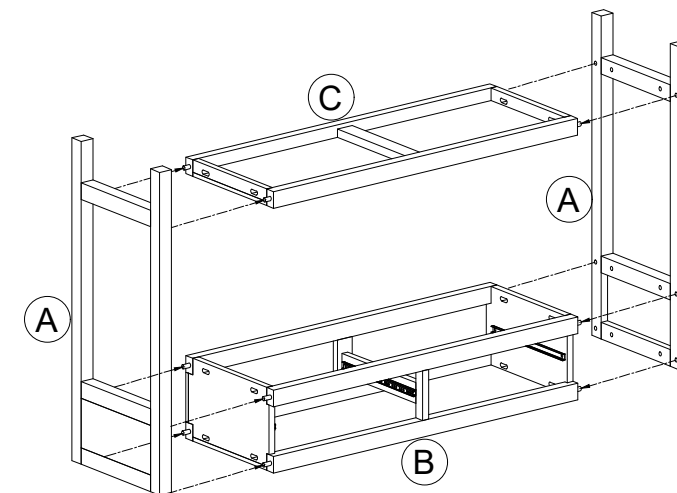
STEP: 1



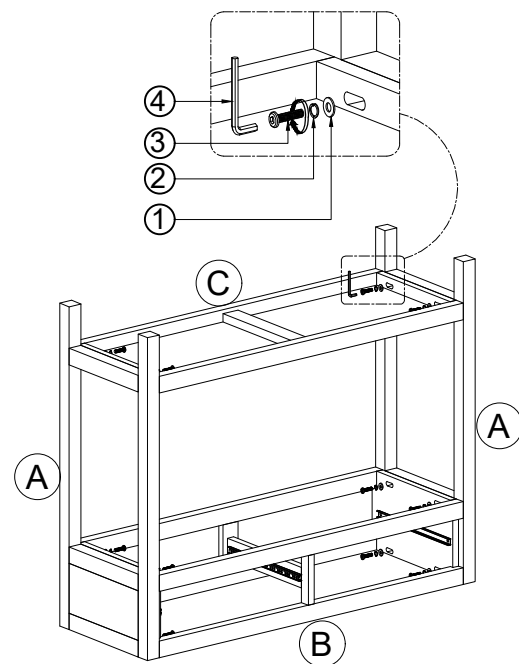
STEP: 2



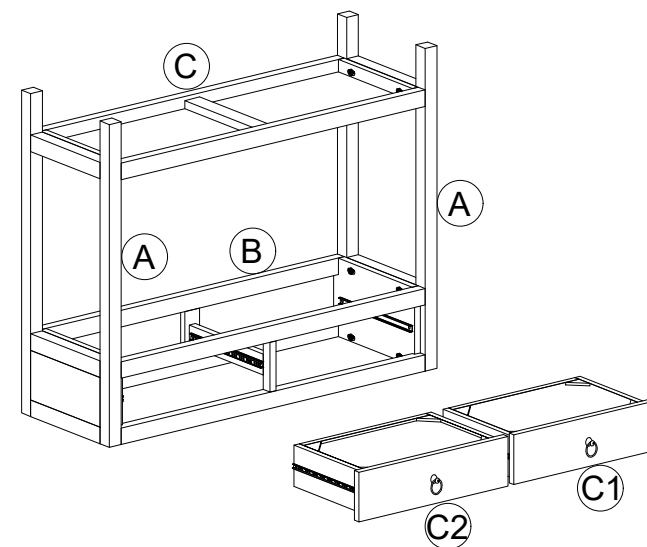
STEP: 3



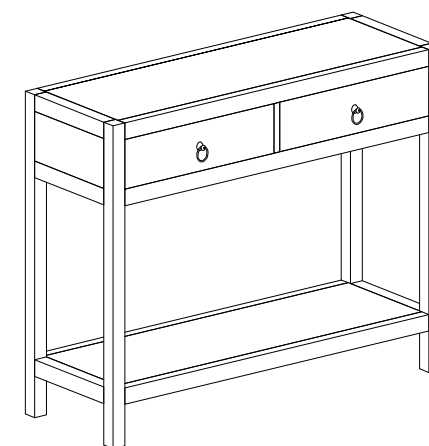
STEP: 4



STEP: 5



STEP: 6



HARDWARE LIST

NO	QUANTITY	PICTURE	QTY
1	Washer M8*19 x 2		12
2	Washer M8		12
3	Bolt M8 x 35		12
4	Key		1
5	Wooden Dowel 10x40		12